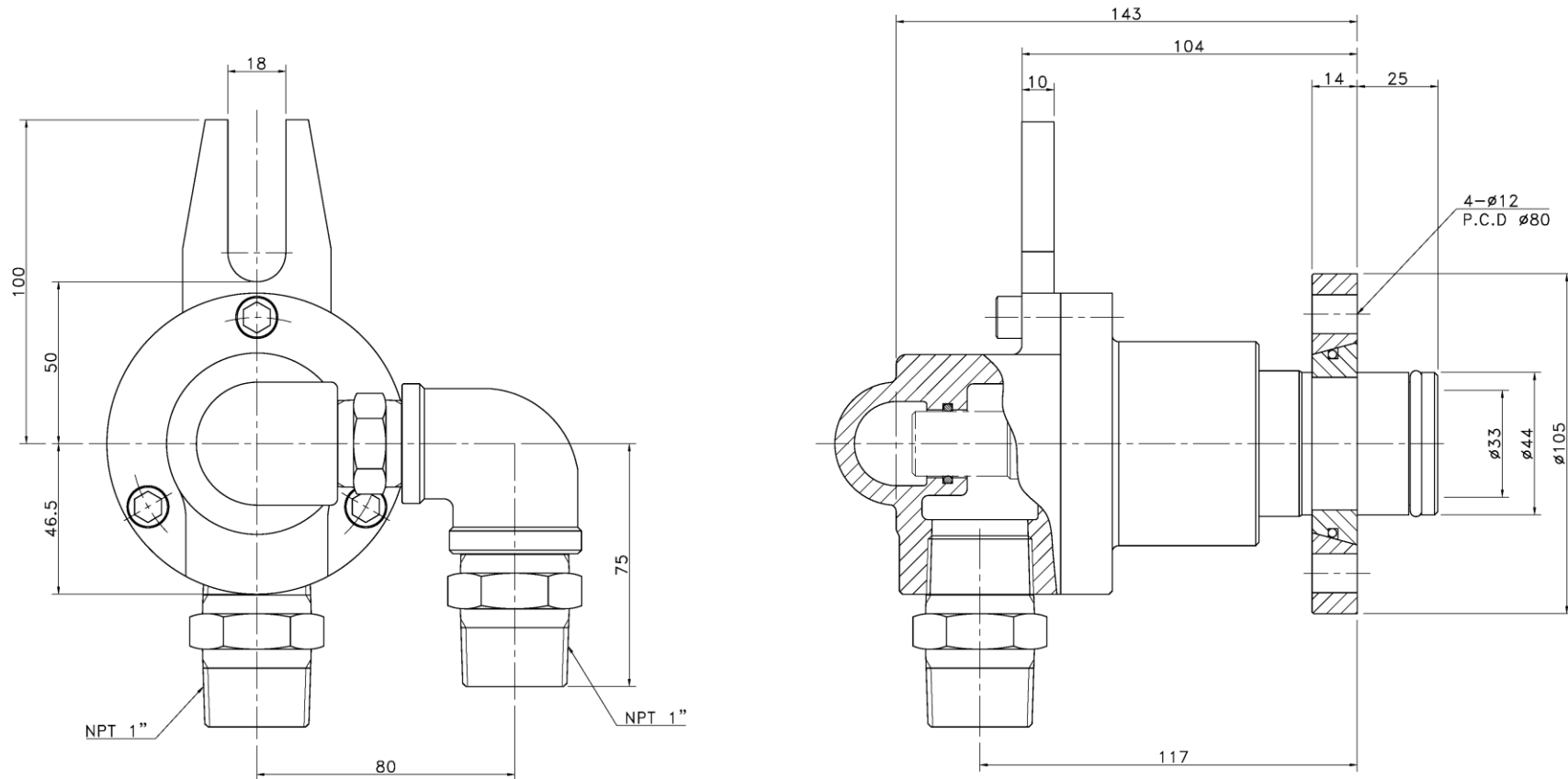


ROTARY JOINT

MJSF-251-42-X1



SPECIFICATION

| FLUIDE | PRESSURE | TEMPERATURE | ROTATING SPEED | MATERIAL | PACKING, O-RING |
|--------|-----------------------------|-------------|----------------|----------------|-----------------|
| WATER | Max. 12 kgf/cm ² | Max. 120 °C | Max. 100 R.P.M | SUS304 / SCS13 | VITON & NBR |